

QUADROCLAD™ FLEX SUN CONTROL FINS

Based on aluminium honeycomb technologies that originated from the aerospace industry, QUADROCLAD™ Flex Sun Control Fins are exceptionally strong, flat and lightweight. Comprising of pre-coated aluminium skins bonded to an expanded aluminium honeycomb core, QUADROCLAD™ Flex Fins can be square, rectangular or irregular shapes. This provides a multitude of design possibilities for sun control applications.



APPLICATIONS

- Practical customised system solutions to suit many sun control designs.
- Exterior
- New developments or existing buildings.

MATERIAL

Pre-treated aluminium honeycomb fixed within pre-coated and roll-formed aluminium skins.

COLOURS & FINISHES

A range of standard and customised colours using the HD COLOR-COTE® Coating Process in either PVF2 (UV-resistant) or LUXACOTE® (scratch-resistant) finishes are available.

FIN SIZES AND WEIGHT

Fin Length:	≤ 4500mm
Width:	≤ 1500mm
Thickness:	25, 36, 50mm
Other thicknesses available on request.	

HONEYCOMB CORE (Pre-treated Aluminium)

Alloy:	AA3003
Foil Thickness:	0.076mm
Cell Size:	12mm or 19mm

DESIGN FLEXIBILITY

QUADROCLAD™ Flex Sun Control Fins can vary in thickness, size and shape, which can be curved and folded. Adding to this, these extremely rigid fins can span vertically or horizontally and can be fixed to a variety of sub-frames.

ENVIRONMENTAL BENEFITS

- Cost-effective solution for sun control – optimised passive solar control by controlling heat and light.
- Aluminium is recyclable and made up of recycled content.

ALUMINIUM SKINS (Pre-coated Coil)

Alloy:	AA3005, H44
Thickness:	07/1.0mm
Physical Properties	
Tensile Strength:	165-215 Mpa
2% Yield Stress R _{p0.2} :	≥ 135 Mpa
Elongation A _{50mm} :	≥ 3%

DURABILITY

QUADROCLAD™ Flex Fins are made up of pre-coated aluminium skins fixed to a pre-treated aluminium honeycomb core, combining high strength with corrosion resistance.

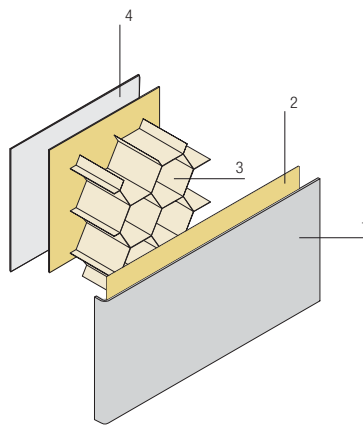
QUALITY

Hunter Douglas Limited is a quality endorsed company, certified as complying with the requirements of AS/NZS ISO 9001:2000.

KEY FEATURES

- High strength - capability of withstanding high wind loads.
- QUADROCLAD™ High Impact Technology (HIT) Panels are suitable for areas exposed to high impact damage.
- Extremely light - less than 6kg/m².
- Extreme panel flatness combined with 'crisp' edges.
- No thermal-bow in fins by solar radiation due to the aluminium honeycomb construction.
- Large sun control fin elements.
- Made to measure - ensures optimal performance, with no waste and time-consuming processing on site.
- Complete with engineered joint solutions - ensuring strength and weathering integrity in operation.

QUADROCLAD™ FLEX FIN COMPOSITION



Fin Composition

1. Pre-coated and rollformed aluminium external skin
2. Adhesive film
3. Aluminium honeycomb
4. Pre-coated aluminium internal skin



INSTALLATION

ADVANTAGES

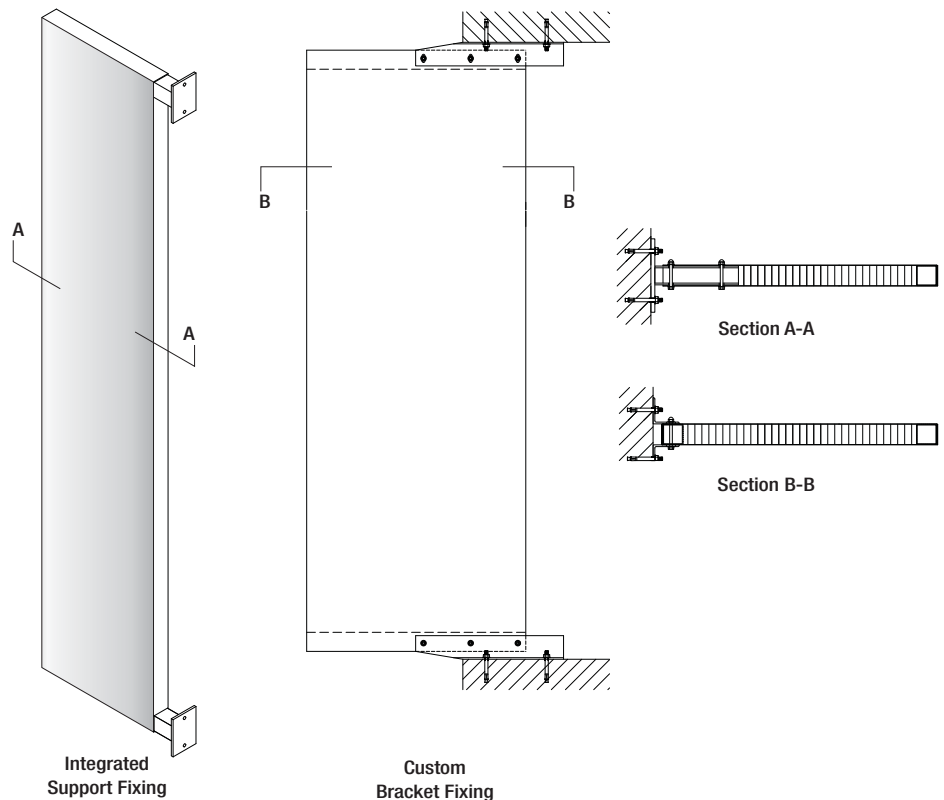
- Quick installation methods with minimum fixings to structure.
- Inherent strength of honeycomb panel requires a limited number of supports.
- Light-weight sun-shade fin system.

DESIGN CONCEPT

- QUADROCLAD™ Flex Sun Control Fins use a concealed fixing bracket system with a number of options available dependent on the application.
- Fixing details are customised solutions specific to the project.
- The sun control fins can be installed in a multitude of orientations - vertical, horizontal, inclined positions for striking aesthetic effects.
- Large sun-shade fins can be created.
- Clean lines and a slim design can be achieved.
- Installation can be independent of the facade construction. This is an option where the QUADROCLAD™ Flex Sun Control Fins can be engineered to be installed during or after the built project.

QUADROCLAD™ FLEX FIN CONNECTIONS

Custom Connection Solutions for Typical Vertical (or Horizontal) Sun Control Fins:



SHORT FORM SPECIFICATION

.....m² Aluminium QUADROCLAD™ Flex Sun Control System, supplied by Hunter Douglas Commercial, consisting of fins 25mm / 36mm / 50mm / other..... thick made up of two skins of flat smooth aluminium in widths ofmm and in variable lengthsmm, as detailed on the architectural

drawings. All exposed fin faces shall be coil coated; selected colours

Supply and install according to the fixing instructions of Hunter Douglas Commercial, a division of Hunter Douglas Limited.

Technical data is subject to change without notice. Refer to our Technical and Customer Support Team for further assistance.

HunterDouglasCommercial

WINDOW COVERINGS | CEILINGS | SUN CONTROL | FACADES

© Copyright 2009. © Registered Trade Marks of Hunter Douglas Limited ABN 98 009 675 709.
TM Hunter Douglas Limited has applied for the registration of the Trade Mark QUADROCLAD. C7970/02.09

Hunter Douglas Commercial

Division of Hunter Douglas Limited
338 Victoria Road, Rydalmere, NSW 2116

Phone: 1300 651 968

Email: enquiries@hunterdouglas.com.au

www.hunterdouglascommercial.com.au